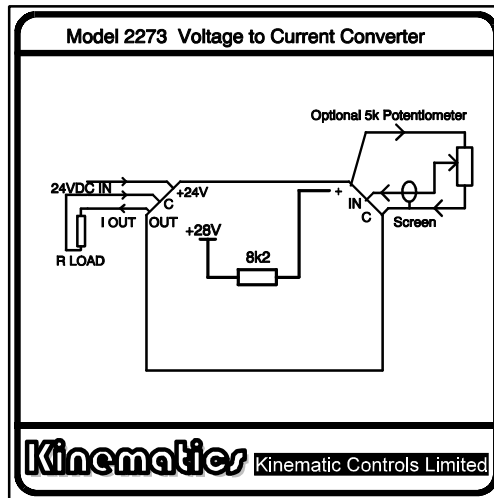


## Model 2273-801 Voltage / Current to Current Converter

Document 2273-201-401 2 April 2004

The model 2273-801 can convert a voltage or a 0-20mA current into a 0 – 250mA current. The input voltage range can be changed by jumpers or custom input voltages and output currents can be configured at time of manufacture.



## Specifications

### **Power Supply:**

Input voltage nominal 24VDC  
Max Supply current 400mA @ 24VDC

**NB.** The Power supply 0V line is common to both the input and output 0V.

### **Input ranges:**

0 to 5V  
0 to 10V  
0-20mA  
Custom

### **Current output range:**

0 to 250mA  
Custom

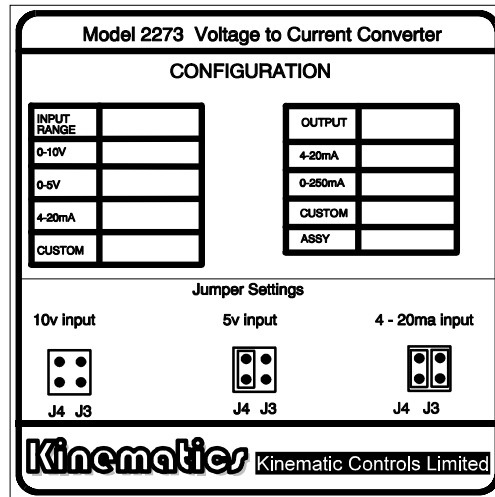
### **Connections:**

Screw Terminals for all inputs, outputs and supply.

### **Housing:**

Housed in a DIN rail mounting enclosure. Approx 90mm x 80mm x 25mm thick (i.e. rail width)

## Jumper Settings:



1. **5V:** 0 – 5V input will give 0 – 250mA out.
2. **10V:** 0 - 10V input will give 0 – 250mA out.
3. **0 – 20mA:** 0 – 20mA input current will give 0 – 250mA out.

## Jumper Location:

With the lid removed the jumpers can be found in the top left corner of the board

